

LIM360 TABLE

DESCRIPTION

LIM360 is an inspiringly simple and intelligently functional task lamp. Combining seamless movement with the most advanced LED technology and an integrated USB port for charging mobile devices, LIM360 brings thoughtful design to the forefront. Available in a range of sophisticated neutrals and expressive colors, LIM360 will elevate any environment.

FIXTURE TYPE

Table

LIGHT SOURCE

(91x) High-output LED array

PRODUCT CODES

LIM 360 Aluminum/Silver:	LIM 360 ALU/SLV
LIM 360 Aluminum/Walnut:	LIM 360 ALU/WAL
LIM 360 Naranja/Walnut:	LIM 360 ORG/WAL
LIM 360 White/Walnut:	LIM 360 WHT/WAL
LIM 360 White/Silver:	LIM 360 WHT/SLV
LIM 360 Black/Black:	LIM 360 BLK/BLK
LIM 360 Black/Walnut:	LIM 360 BLK/WAL
LIM 360 Copper/Copper:	LIM 360 COP/COP
LIM 360 Brass/Brass:	LIM 360 BRS/BRS

LIGHT CONTROL

Full-range dim control

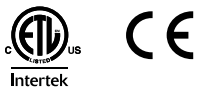
FEATURES

- 360° arm rotation
- Advanced LED array eliminates multiple shadow
- USB charging port
- Ships flat-packed
- Removable insert
- OCC model available upon request

SPECIFICATIONS

- Voltage: 120/220V 60Hz
- Power consumption: 7W
- Color temperature: 3000K
- Luminosity: 295 Lumens
- Luminaire efficacy: 41 Lumens/Watt
- Color Rendition Index: 85 CRI
- 50K Hour lifespan
- Cord length: 10' (304cm)
- Global multi-plug adapter available
- 1 year warranty

CERTIFICATIONS



PACKAGING WEIGHT AND DIMENSIONS

LIM360:	4.9LBS	25.5" X 10" X 2.5"
	2.2KGS	65cm X 25cm X 6cm

NOTES

- Surface grommet mount available upon request
- Occupancy sensor model available upon request
- Custom requests can be considered on volume orders

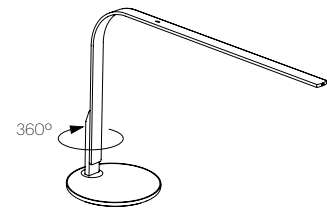
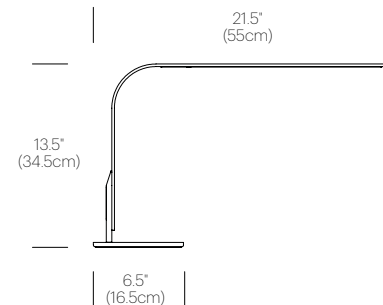


FINISHES

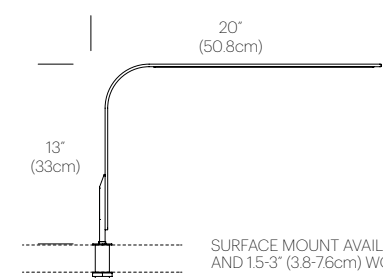


DIMENSIONS

LIM 360 TABLE



LIM 360 SURFACE MOUNT



SURFACE MOUNT AVAILABLE FOR 25-15" (6-38cm) AND 15-3" (3.8-76cm) WORKSURFACES